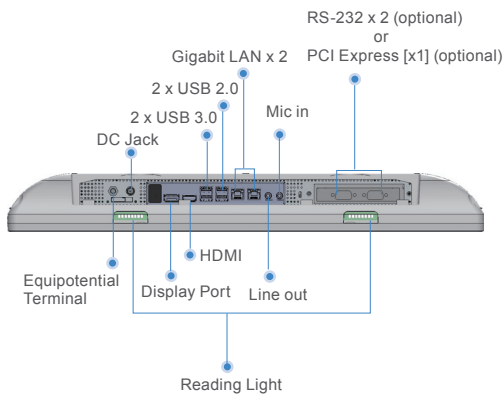
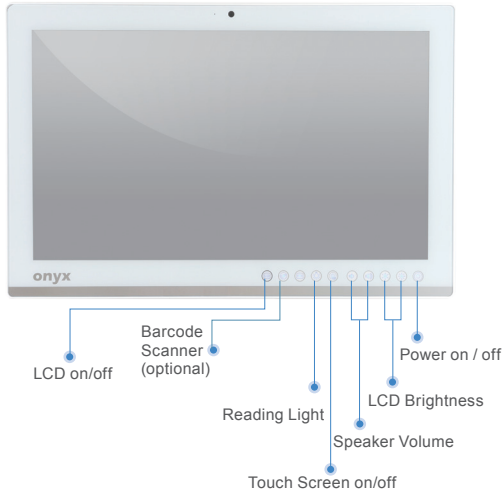


MATE-2201

22" Fanless Core i3 Touch Panel PC



Features



- Intel® Core™ i3-4330TE Dual Core 2.4GHz Processor
- Intel® H81 Chipset
- Supports Dual Channel DDR3 SODIMM up to 16GB
- 22" Full HD LCD with LED Backlight
- 5-Wire Resistive Touch Screen / Capacitive Multi-Touch Screen
- High Speed USB 3.0 Ports
- +12V to +24V Wide Range DC Input
- Fanless Design for Robust Environment
- PCI-Express x [1] (optional)
- RS-232 x 2 (optional)
- White Color ID Design



Specifications

Main Specifications

Processor	Intel® Core i3-4330TE Dual Core 2.4GHz Intel Pentium G3320TE Dual Core 2.3GHz Intel Celeron G1820TE Dual Core 2.2GHz
System Memory	Supports Dual Channel DDR3 SODIMM up to 16GB
Chipset	Intel® H81
OS Support	Windows® XP, Windows® 7, Windows® 8, Linux®
Storage Disk Drive	2.5" SATA Hard Disk Drive/SSD x 1
Security	Trusted Platform Module, RFID(optional)
Wireless Communication	802.11b/g/n(optional), Bluetooth 3.0HS & 4.0 (optional)
Speaker	5W x 2
Function Key	Speaker Volume Up/Down, LCD Brightness Up/Down
Power Requirement	DC 12~24V

Display

Size / Type	22" MVA LCD
Max. Resolution	1920 x 1080
Luminance(cd/m2)(TYP)	250 nits
Viewing Angle	178°(H)/178°(V)
Contrast Ratio	3000:1
Back Light Life Time	30,000 Hours
Touch Screen	5-Wire Resistive / Capacitive Multi-Touch

I/O

USB	USB 2.0 x 2, USB 3.0 x 2
Serial Port	RS-232 x 2 (optional)
Ethernet	Gigabit LAN x 2
Video Out	Display Port x 1(Supports resolution up to 3840 x 2160), HDMI x 1(Supports resolution up to 3840 x 2160)
Audio	Mic-in, Line-out

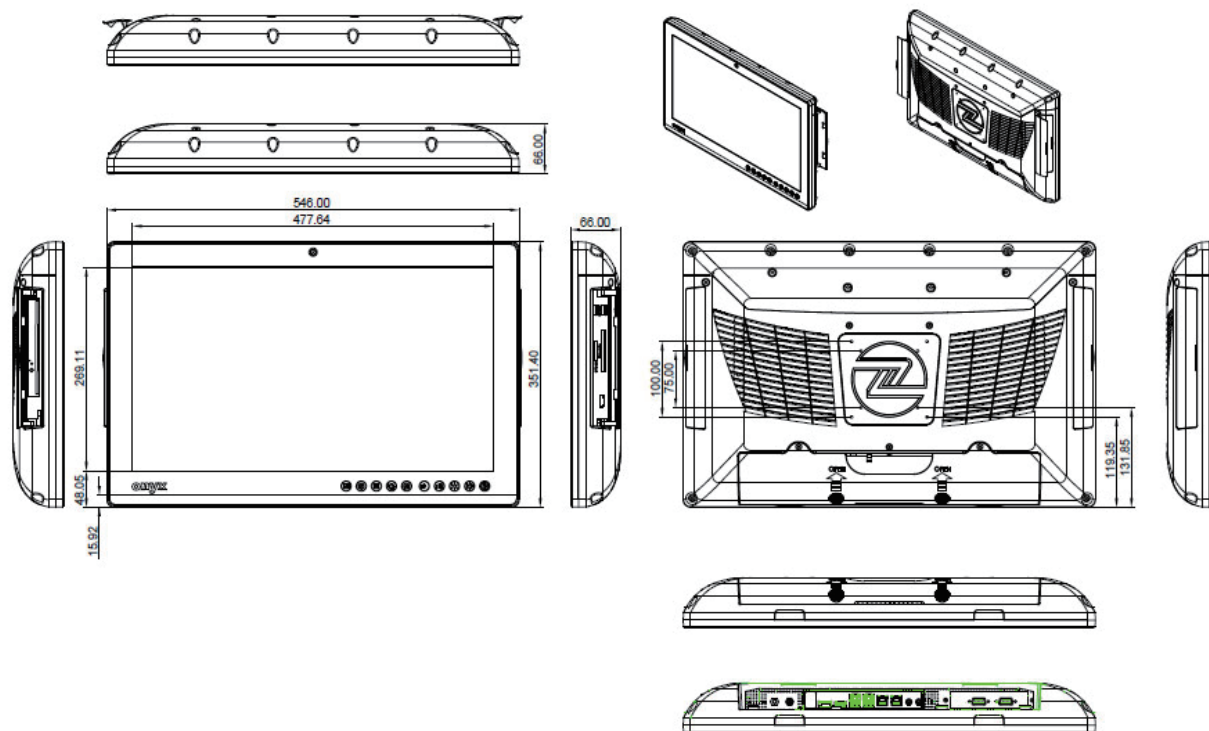
Mechanical and Environmental

Operating Temperature	0°C ~ 35°C(32°F ~ 95°F)
Storage Temperature	-20°C ~ 60°C(-4°F ~ 140°F)
Mounting VESA	75/100 mm
Degree of Protection	Front Panel IP65 ; Whole unit: IPx1
Net Weight	8.5kg (18.7lb)
Certification	CE, FCC Class B Passed 18, cULus Mark/UL+VTC Report+ISO 14971(CAN/CSA-C22.2NO.60601-1-08; ANSI/AAMI ES60601-1:2005, EC 60601-1-1:2005, EN 60601-1:2006 ISO 14971)

Customized Option

1. RS-232 x 2 port kit
2. PCI Express[x1] kit

 Dimension / Unit: mm



 Ordering Information

- » MATE-2201ET-A1-1010
Medical Panel PC.i3-4330TE.22" LCD.DC 12~24V.Resistive Touch.4GB RAM
- » MATE-2201ET-A2-1010
Medical Panel PC.Pentium G3320TE .22" LCD.DC 12~24V.Resistive Touch.4GB RAM
- » MATE-2201ET-A3-1010
Medical Panel PC.Celeron G1820TE .22" LCD.DC 12~24V.Resistive Touch.4GB RAM
- » MATE-2201ST-A1-1010
Medical Panel PC.i3-4330TE.22" LCD.DC 12~24V.Capacitive Touch.4GB RAM
- » MATE-2201ST-A2-1010
Medical Panel PC.Pentium G3320TE .22" LCD.DC 12~24V.Capacitive Touch.4GB RAM
- » MATE-2201ST-A3-1010
Medical Panel PC.Celeron G1820TE.22" LCD.DC 12~24V.Capacitive Touch.4GB RAM

 Optional Accessories

- » 1757213000
Medical Power Adapter, 130W, 24V
- » OPM-C06W-A2
WLAN Kit, IEEE 802.11a/b/g/n + Bluetooth 4.0LE/3.0HS/2.1 EDR
- » OPM-S01R-A2
RFID Reader.ISO 14443A/B.15693
- » OPM-S01O-A2
RFID Reader.ISO 14443A/B.15693 & 2D Barcode Scanner
- » OPM-T012-A1
Two RS-232 Kit
- » OPM-R01X-A1
PCI Express[x1] Riser Kit